

Applicable Model

R20A

Drawing Title

Intercom Panel

Drawing Unit

mm

Drawing Scale

Not to scale

DRAFT
SUBJECT TO
CHANGE

Last Revised

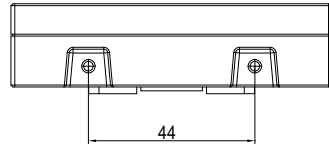
Jun 12,2024

Drawing Version

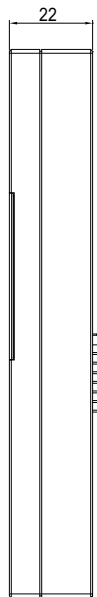
V1.2

Page

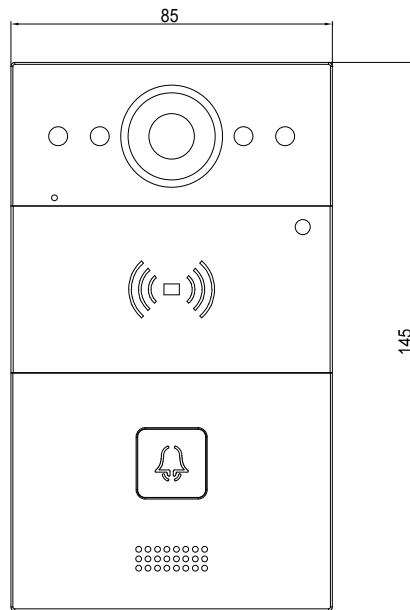
1 of 3



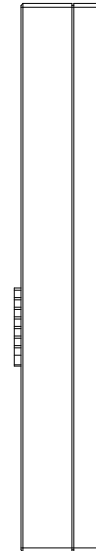
6 **BOTTOM VIEW**



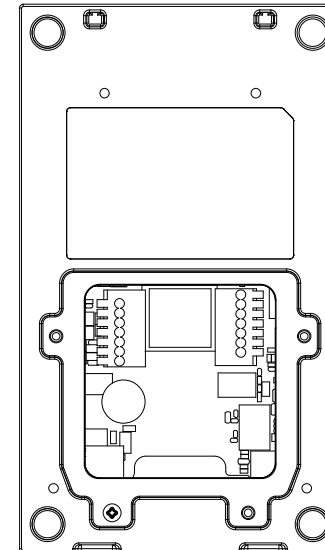
2 **RIGHT VIEW**



1 **FRONT VIEW**



3 **LEFT VIEW**



4 **BACK VIEW**



5 **TOP VIEW**

Applicable Model

R20A

Drawing Title

Wall Mounting Bracket

Drawing Unit

mm

Drawing Scale

Not to scale

DRAFT
SUBJECT TO
CHANGE

Last Revised

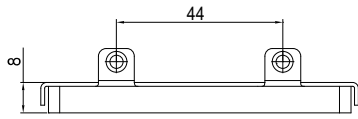
Jun 12, 2024

Drawing Version

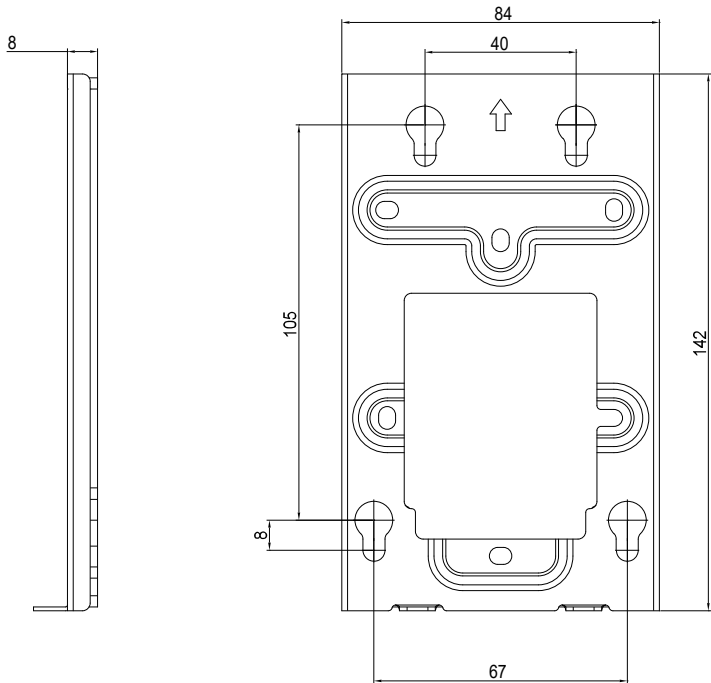
V1.2

Page

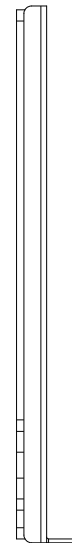
2 of 3



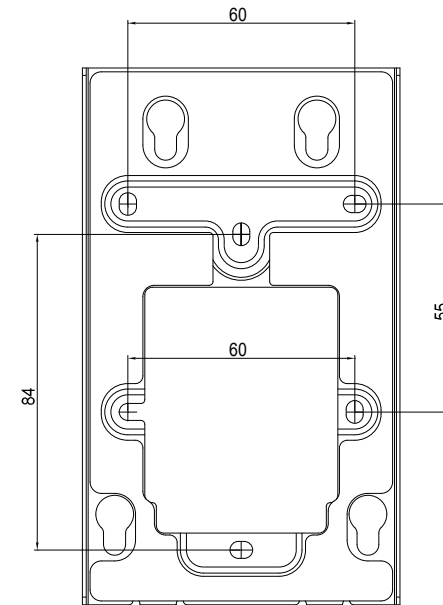
6 BOTTOM VIEW



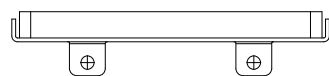
1 FRONT VIEW



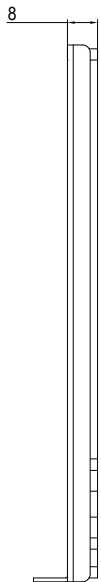
3 LEFT VIEW



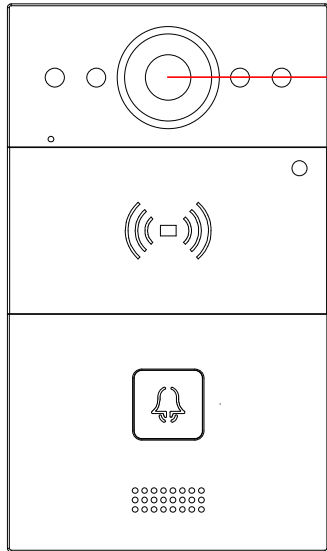
4 BACK VIEW



5 TOP VIEW



2 RIGHT VIEW

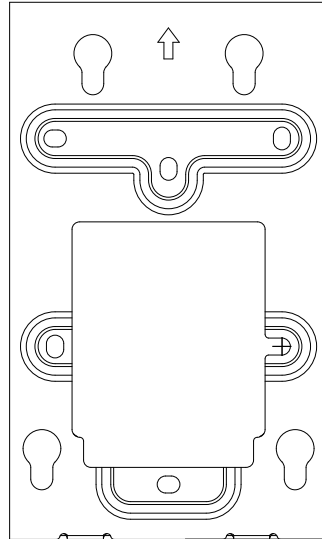
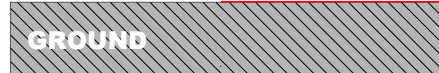


1 INTERCOM PANEL FRONT VIEW

1375mm TO BOTTOM OF PANEL

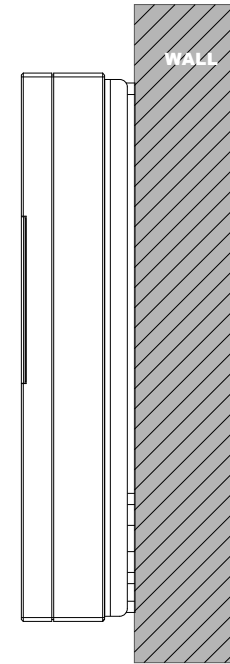
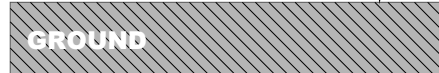
1500mm TO CENTER OF CAMERA

ADA Compliance Requirement



2 FRONT VIEW: WALL MOUNTING BRACKET PLACEMENT

1375mm TO BOTTOM OF BRACKET



3 SIDE VIEW: INTERCOM PANEL ON WALL

Applicable Model

R20A

Drawing Title

Placement

Drawing Unit

mm

Drawing Scale

Not to scale

**DRAFT
SUBJECT TO
CHANGE**

Last Revised

Jun 12, 2024

Drawing Version

V1.2

Page

3 of 3